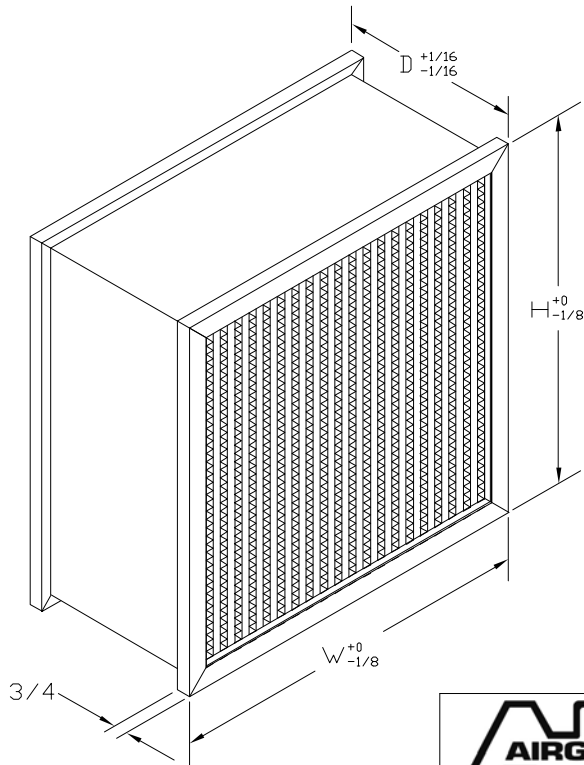


Nominal Size (Inches) W x H x D	Actual Size (Inches) W x H x D	MERV 14		MERV 13		MERV 11		Rated Airflow (CFM)	Media Area (Square Feet)
		Model Number	Initial Resistance (In. W.G.)	Model Number	Initial Resistance (In. W.G.)	Model Number	Initial Resistance (In. W.G.)		
24 x 24 x 12	23-3/8 x 23-3/8 x 11-1/2	VSC-MC-904	0.70	VSC-MC-804	0.60	VSC-MC-604	0.43	2000	103
20 x 25 x 12	19-3/8 x 24-3/8 x 11-1/2	VSC-MC-912	0.70	VSC-MC-812	0.60	VSC-MC-612	0.43	1750	88
20 x 24 x 12	19-3/8 x 23-3/8 x 11-1/2	VSC-MC-915	0.70	VSC-MC-815	0.60	VSC-MC-615	0.43	1650	84
20 x 20 x 12	19-3/8 x 19-3/8 x 11-1/2	VSC-MC-913	0.70	VSC-MC-813	0.60	VSC-MC-613	0.43	1400	69
18 x 24 x 12	17-3/8 x 23-3/8 x 11-1/2	VSC-MC-911	0.70	VSC-MC-811	0.60	VSC-MC-611	0.43	1500	75
16 x 25 x 12	15-3/8 x 25-3/8 x 11-1/2	VSC-MC-910	0.70	VSC-MC-810	0.60	VSC-MC-610	0.43	1400	69
16 x 20 x 12	15-3/8 x 19-3/8 x 11-1/2	VSC-MC-909	0.70	VSC-MC-809	0.60	VSC-MC-609	0.43	1100	53
12 x 24 x 12	11-3/8 x 23-3/8 x 11-1/2	VSC-MC-903	0.70	VSC-MC-803	0.60	VSC-MC-603	0.43	1000	47
24 x 24 x 6	23-3/8 x 23-3/8 x 5-7/8	VSC-MC-902	0.40	VSC-MC-802	0.38	VSC-MC-602	0.23	1000	47
20 x 25 x 6	19-3/8 x 24-3/8 x 5-7/8	VSC-MC-908	0.40	VSC-MC-808	0.38	VSC-MC-608	0.23	875	40
20 x 24 x 6	19-3/8 x 23-3/8 x 5-7/8	VSC-MC-916	0.40	VSC-MC-816	0.38	VSC-MC-616	0.23	825	38
20 x 20 x 6	19-3/8 x 19-3/8 x 5-7/8	VSC-MC-914	0.40	VSC-MC-814	0.38	VSC-MC-614	0.23	700	32
18 x 24 x 6	17-3/8 x 23-3/8 x 5-7/8	VSC-MC-907	0.40	VSC-MC-807	0.38	VSC-MC-607	0.23	750	34
16 x 25 x 6	15-3/8 x 24-3/8 x 5-7/8	VSC-MC-906	0.40	VSC-MC-806	0.38	VSC-MC-606	0.23	700	31
16 x 20 x 6	15-3/8 x 19-3/8 x 5-7/8	VSC-MC-905	0.40	VSC-MC-805	0.38	VSC-MC-605	0.23	550	24
12 x 24 x 6	11-3/8 x 23-3/8 x 5-7/8	VSC-MC-901	0.40	VSC-MC-801	0.38	VSC-MC-601	0.23	500	21



STANDARD CONSTRUCTION

1. High Efficiency, Microglass Paper Media
2. Corrugated Aluminum Separators With Rolled Edges
3. High Loft Microglass Wrap Around Media Pack
4. 24 Gauge Galvanized Steel Cell Sides
5. Header on Both Side: Single Piece U-Channel
6. Expanded Metal Grid on Air Leaving Side

NOTES

1. Efficiency Code / MERV per ASHRAE 52.2-2007
 - 9 - MERV 14
 - 8 - MERV 13
 - 6 - MERV 11
2. Final Resistance: 1.5" W.G.
3. Rated Velocity 12" Deep - 500 FPM
4. Rated Velocity 6" Deep - 250 FPM
5. Class 1 Filter Per U.L. Standard 900
6. Maximum Operating Temperature: 350 deg. F
7. Optional Gasket Available
 - U - Upstream Gasket (Ex: VSC-MC-904-U)
 - D - Downstream Gasket
 - UD- Both Sides
8. Reverse Pleat Orientation Available
 - Add "-R" to Model Number (Ex: VSC-MC-904-R)
9. Optional 1-1/8" Header ("C" Header) available
 - Add "-C" Onto the model number (EX: VSC-MC-904-C)
10. Antimicrobial option available on MERV 14 product
 - Add "-BIO" to the model number
11. Special Sizes Available



100 River Ridge Circle
Jeffersonville, IN 47130
P: 866-247-4827
F: 866-801-1809
www.clair.com/airguard

**CONTACT FACTORY TO
VERIFY REVISION LEVEL**

**TOLERANCES
UNLESS OTHERWISE SPECIFIED**

FRACTIONAL -
DECIMAL -
ANGLES -

ALL DIMENSIONS IN INCHES

DRAWING NAME

VARIFLOW SC VSC-MC (DOUBLE HEADER STYLE)

APPROVED BY

K. Quinn

SPECIFICATION NO.

MKT-B-00143

PAGE 1 OF 1

SCALE

NONE

DWG. SIZE

A

REVISION

D

REVISION DATE

10-01-15

CONFIDENTIAL - DO NOT COPY. THIS MATERIAL IS TRADE SECRET AND PROPRIETARY BEING EXCLUSIVELY OWNED BY CLAIR. THE EXPRESSION OF THE INFORMATION CONTAINED HEREIN IS PROTECTED UNDER FEDERAL COPYRIGHT LAWS AND ALL COPYING IS PROHIBITED AND MAY BE SUBJECT TO CRIMINAL PENALTIES.